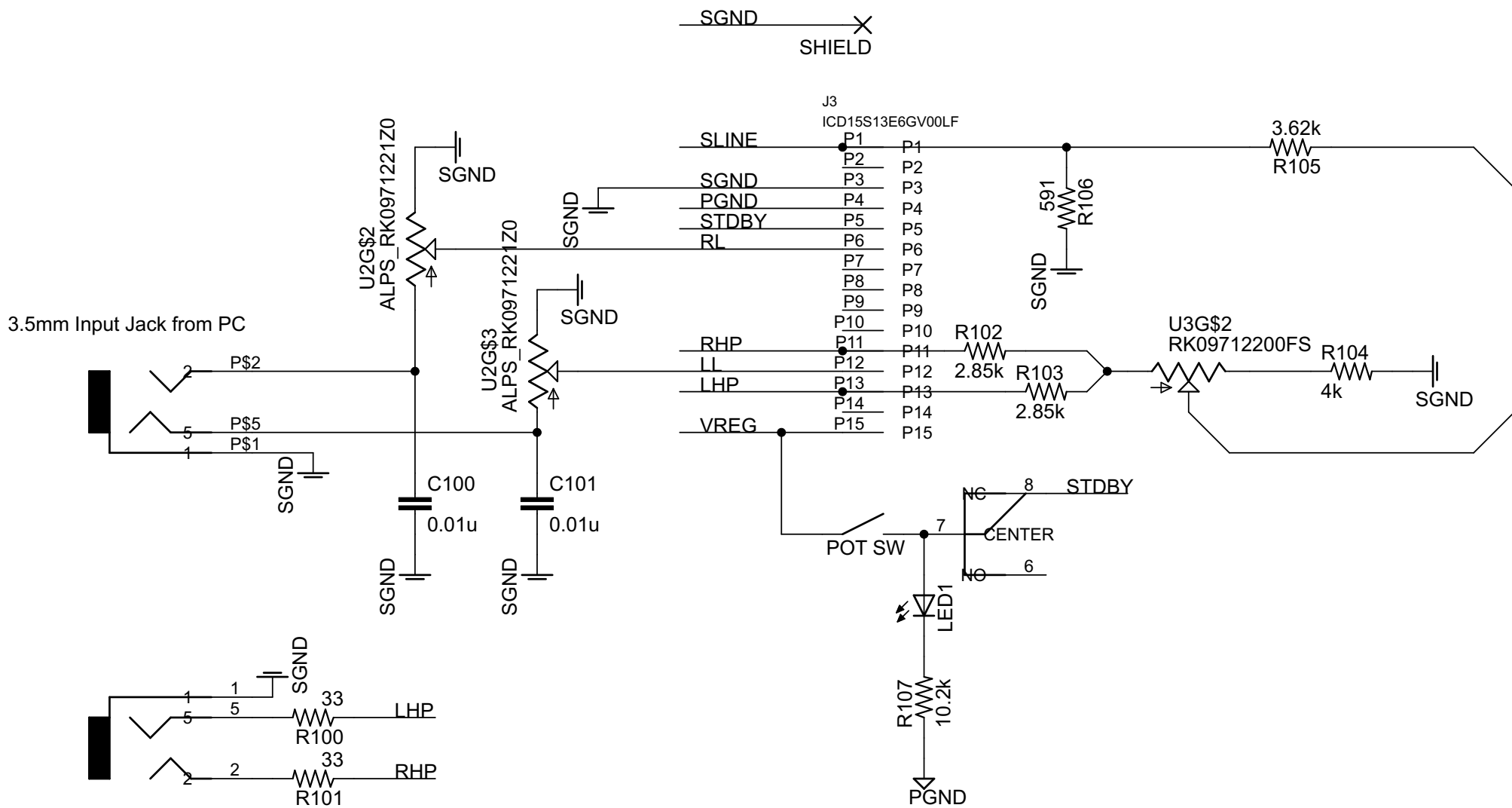


# Generic Remote for Logitech Z-2300



NOTE 1: C100 and C101 are optional and can be omitted. Original values not measured.

NOTE 2: Value of potentiometer U2 (volume control) not verified. A 10k log pot works well.

NOTE 3: Value of potentiometer U3 (bass control) not verified. A 10k linear pot works well.

DISCLAIMER: This design is for personal use only. Information is provided without warranty, either expressed or implied. USE AT YOUR OWN RISK.